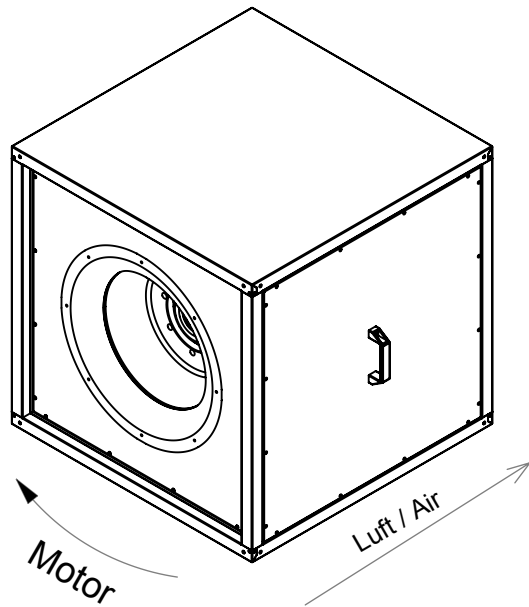
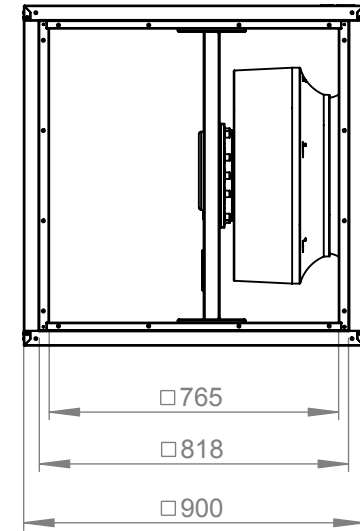


Anschlussmaß innen  
min.  $\varnothing$  540  
Connection size inside  
min.  $\varnothing$  540



**KUVENT** 

1:10 A4 mm

Protection Mark  
according to ISO16016

General tolerances  
DIN ISO 2768-c

**E-KB 560**

Ventilair Group Belgium Drawn:  
Pieter Verhaeghestraat & created:  
8520 Kuurne Changed:

14.09.15  
01.07.15  
21.07.16

